

Tender Notice

TENDER FOR SUPPLY AND INSTALLATION OF STANDBY DIESEL GENERATOR FOR RALGA BUILDING.

1. Introduction

Rwanda Association of Local Government Authorities (RALGA) is a membership organization established in 2002 by the districts of Rwanda to enable them to fulfill the responsibilities entrusted to them under the decentralization policy adopted in 2000. Its vision is to have efficient local government entities where people and stakeholders are involved in the development, and its objective is to assist local government entities in achieving their mission, complying with principles of good governance and decentralization.

RALGA would like to invite interested bidders to supply and install a standby diesel generator set of 100KVA to assist the national power grid in case of electricity outage.

2. Objective and scope of this tender


The objectives and scope of this tender include the supply, installation, and configuration of a standby diesel generator set with automatic switching system which must be able to be started and stopped automatically and silently in response to the interruption of the national grid supply.

3. Application procedures

The bidders shall submit their technical and financial proposals in English well-sealed separately to the Secretary General of Rwanda Association of Local Government Authorities (RALGA) not later than Thursday 8th July 2022 at 10:00 a.m. at RALGA Office in Masaka, Kicukiro District. The opening of the bids shall take place the same day at 10:30 p.m., and the bidders or their representatives will be allowed to attend this opening.

Detailed terms of reference for this assignment can be found on RALGA's website www.ralga.rw
Further inquiries shall be channeled by email to info@ralga.rw

Done at Kigali, on 21st June 2022.


Ladislas NGENDAHIMANA
Secretary General



TECHNICAL SPECIFICATIONS FOR TENDER FOR SUPPLY AND INSTALLATION OF STANDBY DIESEL GENERATOR FOR RALGA BUILDING.

1. Introduction

Rwanda Association of Local Government Authorities (RALGA) is a membership organization established in 2002 by the districts of Rwanda to enable them to fulfill the responsibilities entrusted to them under the decentralization policy adopted in 2000. It was legally registered in 2003 as a non-governmental organization. Its vision is to have efficient local government entities where people and stakeholders are involved in the development, and its objective is to assist local government entities in achieving their mission, complying with principles of good governance and decentralization. The objective of RALGA is to assist local Government entities in achieving their mission, complying with principles of good governance and decentralization.

RALGA would like to invite the interested bidders to supply and install a standby diesel generator set of 100KVA to assist the national power grid in case of electricity outage.

2. Objective and scope of this tender

The objectives and scope of this tender include the supply, installation, and configuration of a standby diesel generator set with automatic switching system which must be able to be started and stopped automatically and silently in response to the interruption of the national grid supply.

3. Diesel generator specifications

a) Structure:

- A standby diesel Generator set of 100KVA with its one (1) three phase integrated Automatic Transfer Switch (ATS) (European Mark)
- Model: Silenced on skid mounted (75db(A)+/- 3 at 7mt), super silent
- Engine/Alternator mono block unit coupled through flexi-disc couplings, installed on a welded steel base frame, complete with ant vibration mountings
- Soundproof enclosure (Outdoor type), soundproof material, internal silencer, inox-steel handles and hinges, incorporating fuel tank cap with key, 4 lifting hooks, industrial painting, Fuel consumption at 75% of load: 17.4L/h
Fuel consumption at 100% of load: 23.6l /h
Running time at 75% of load: 18.24h
Running time at 100% of load: 13.51h
- Lead acid batteries :12V/90Ah

- Enclosed set dimensional data
 - Length (mm): 3,000
 - Width (mm): 1,350
 - Height (mm): 1,884
- Fuel tank capacity: 350 Litres
- Dry weight (Kg): 1,600

b) Electric start panel:

- Magneto thermic circuit breaker
- Power terminal board
- Auto start on board w/o change over
- Emergency stop button

c) Technical data:

1. Equipment specification (In accordance with ISO8528 1:2005)

Standby power at cos Q 0.8	110KVA
Prime power at cos Q 0.8	100KVA
Standby power at cos Q 0.8:	88KW
Prime Power at cos Q 0.8	80KW
Frequency	50HZ
Voltage available to the terminals	400V/230V

d) Engine:

- Brand new European type
- Diesel 4 stroke-water cooled-turbocharged with intercooler
- Governor: Electronic
- Max power: 194Hp
- R.P.M: 1500
- Cylinder: 4
- Fuel: Diesel
- Displacement: 4.8Lt (292.91 cu.in)

e) Alternator

- Brand new: European type
- Frequency: 50 Hz
- Power factor (cos ϕ): 0.8
- Type: Brushless
- Voltage regulation: Electronic
- Standard AVR: DSR
- Voltage tolerance: % 1.5
- Efficiency @ 75% load: % 93.5
- Poles: 4
- Stator/rotator insulation: Class H

(n.)

- Protection level: IP 23
- Continuous power (50Hz): 100KVA

f) Cables

- Generator's cable: (Section: 4x35mm²) (Length: 35m)
- Connection accessories: Grounding must not be more than 5Ω
- Earth wire (Copper): 1x16mm², Length: 20m
- Detection cable (Length): 35m

g) Generator houses (Shelters) specifications

- ✓ Floor plan dimensions: 5400x3250mm
- ✓ A generator house should be constructed by Metallic tubes with Iron sheets
- ✓ Distance between two vertical tubes should be: 10 cm
- ✓ Vertical metallic tubes 60x40x1.5mm to support roof trusses (including concrete to fix them)
- ✓ Horizontal metallic tubes 40x40x1.5mm
- ✓ Vertical metallic tubes 20x20x1.5mm
- ✓ Iron sheet: 28 BG pre-painted both sides
- ✓ Double metallic door in grill in 20x20x1.5mm
- ✓ Stone foundation (hardcore)
- ✓ Pavement screed (cement, gravel and sand)
- ✓ Painting on metallic tubes
- ✓ Metallic gutter with installation of downspouts, provide elbows and offsets, and secure downspouts to wall construction using downspout supports spaced and provide 45-degree elbow at bottom of downspout to direct water away from wall surface or foundation.

4. Bill of quantity

S/N	Description	Unity	QTY	UP	TP
1	A standby diesel Generator set of 100KVA with its three phase integrated Automatic Transfer Switch (ATS) (European Mark) including grounding system	Pcs	1		
2	Metallic tube 60x40x1.5mm	Pcs	30		
3	Metallic tube 40x40x1.5mm	Pcs	40		
4	Metallic tube 20x20x1.5mm	Pcs	15		
5	Iron sheet 28 BG	m ²	28		
6	Foundation (stone hardcore)	m ³	5		
7	Excavation	m ²	10		
8	Concrete	m ³	3		
9	Paint	m ²	74		
10	Metallic gutter	m	6.5		

11	PVC pipe 110mm wall thickness 2.6mm PN-6	Pcs	2		
12	elbow	Pcs	4		
13	Supply cable 4x35mm ²	m	35		
14	Detection cable	m	35		
15	Earth wire (Aluminium) 1x16mm ²	m	20		
16	Installation cost	-	ff		
	TOTAL				

5. Bidder's Profile

The bidder should possess enough experience in the field of supply, installation/configuration of diesel generator works with proof of different similar assignment carried out. The bidder should provide three (3) different assignments in complexity and nature proven by the good performance certificate with people of contact.

Competences and qualifications of the bidder

The bidder should have the following key personnel:

a) Electromechanical or electrical engineer: (1 person)

- At least a bachelor's degree in electromechanical or electrical engineering with at least 5 years of experience in supervising similar works as in this tender;
- The bidder must show that this person has participated at least in three similar works of the same complexity and nature as an electromechanical or electrical engineer with proof/certificate of completion.
- Fluency in English or French and working knowledge with others are expected.

b) Construction technician: (1 person)

- At least A1 degree in Civil engineering (construction technology option) with at least 5 years of working experience in construction;
- The bidder must show that this person has participated at least in three similar works of the same complexity and nature as a construction technician with proof or certificate as evidence.
- Fluency in English or French and working knowledge with others is expected.

c) Welder: (1 person)

- At least A2 degree or certificate with at least having 3 years of experience in welding works;

- Communication level in English or French and working knowledge with others is expected.

N.B: The CVs (detailing similar works completed successfully) and copy of degree and certificates must be provided by all required key person.

6. Duration of works

The works of supply, installation/configuration should not exceed a period of three (3) months from the contract signing.

7. Technical evaluation criteria

- Experience in similar works (certificates of performance and completion)
- Qualification of the 3 key personnel directly involved in the works
- Proposed schedule for executing the works

8. Selection method

For the bidders who will have qualified for the step of financial evaluation, the selection method shall be Cost-Based Selection.

9. Notification

The outcome of the evaluation for both technical and financial steps shall be notified to the bidders electronically.

10. Validity of bids

The validity of bids shall be 3 months starting from the deadline for submission of bids. RALGA may cancel or suspend the tender process at any time before the contract signing.

11. Performance guarantee

Upon notification and before contract signing, the successful bidder shall provide a performance guarantee issued by a recognized financial institution for the entire contract.

12. How to access to tender document

The detailed tender document related to the renovation on of RALGA office building on RALGA website www.ralga.rw.

13. Application procedures

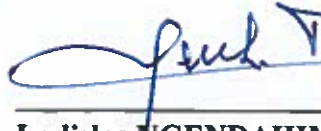
The bidders shall submit their technical and financial proposals in English well sealed separately to the Secretary General of Rwanda Association of Local Government Authorities (RALGA) not later than Thursday 8th July 2022 at 10:00 a.m. at RALGA Office in Masaka, Kicukiro District. The opening of the bids shall take place the same day at 10:30 p.m., and the bidders or their representatives will be allowed to attend this opening.

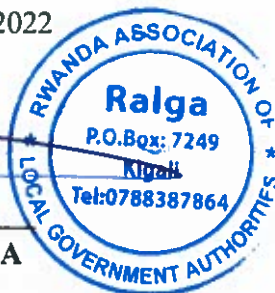
The bids must comprise the following:

- Submission letter;
- Technical proposal with company's profile, approach on how to accomplish the assignment;
- Updated CV of indicated key personnel with relevant copies of diplomas and work-related certificates;
- Separate file of financial proposal.

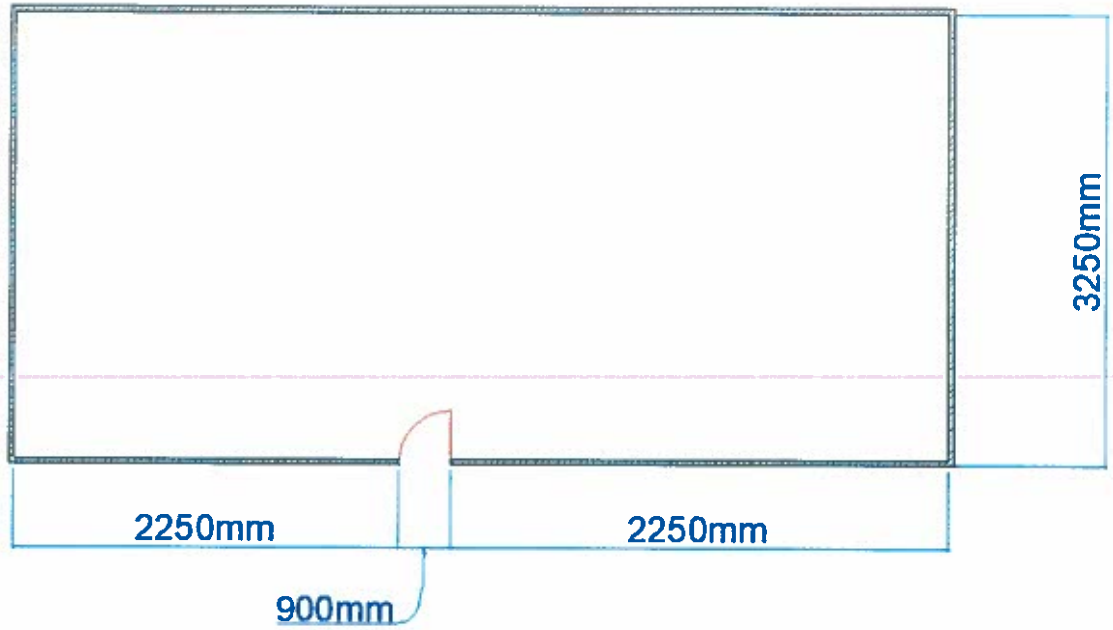
For any additional information, send an email to info@ralga.rw

Done at Kigali on 21st June 2022

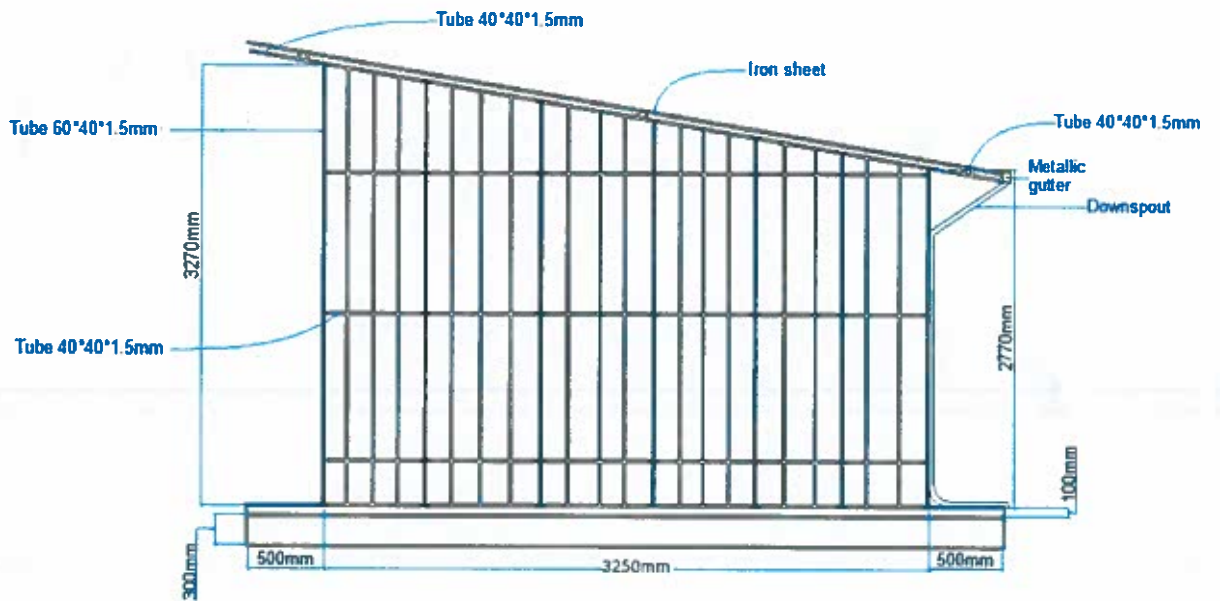

Ladislav NGENDAHIMANA
Secretary General



ANNEXE 1: PLAN VIEW OF DIESEL GENERATOR HOUSE



SIDE VIEW OF DIESEL GENERATOR HOUSE



m

ANNEX 2: FRONT VIEW OF DIESEL GENERATOR HOUSE

